

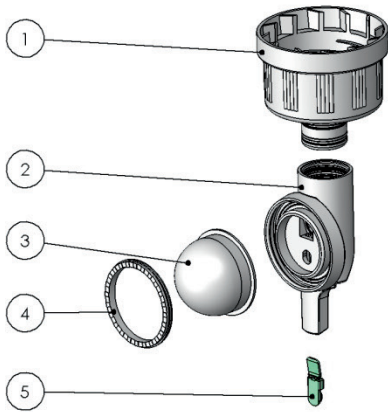
Product Sheet

# H-PUMP

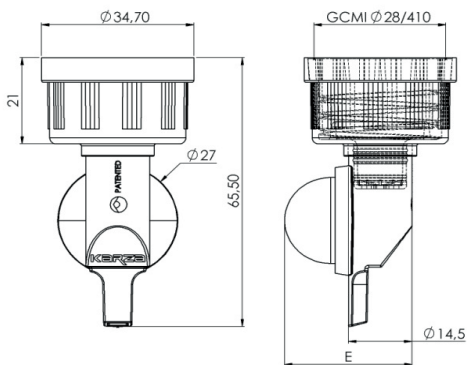
## Sustainable Hygienic pump



H-Pump is an airless pump dispenser based on a new valve technology **TWIN-FLEX** lightweight and sustainable, suitable for dispensing liquids emulsions and soap solutions.



N°	Item	Material
1	Plug	PP
2	Body	PP
3	Ball	TPE
4	Ring	PP
5	Valve	TPE



# H-PUMP

## Hygienic Pump KZPH01

### PRODUCT AND USING

- H-PUMP is an innovative airless dispenser based on a new valve technology "Twin-flex"
- For liquid products, solutions and emulsions
- Compatible with alcoholic formulas
- Should be used with soft bottle (neck 28/410)
- Can be loaded in our stainless steel wall mounted holder DELTA (KZ D 01)

### OPERATING TEMPERATURE

- The maximum operating temperature is 40° C

### DOSES

- Version KZPH01-V2: 1.5 ml to 2 ml depending on the viscosity
- Version KZPH01-V3: 2 ml to 3 ml depending on the viscosity

### ADVANTAGES

- Excellent protection of the formula of oxidation and bacteria
- Lightweight, without metallic spring, it contributes to the reduction of waste
- Excellent durability withstand over 3000 times
- Few components (5 Parts)
- Possibility of operculum

Reference	E (mm)	Weight (g)
KZPH01-V2	29	7.7
KZPH01-V3	33	7.9

KZPH01-V\*- S : with Operculum.